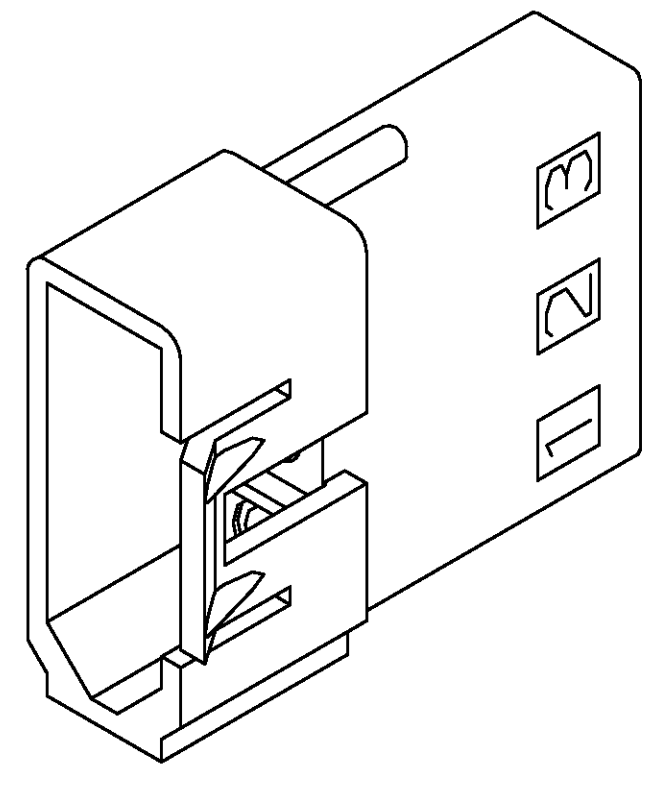
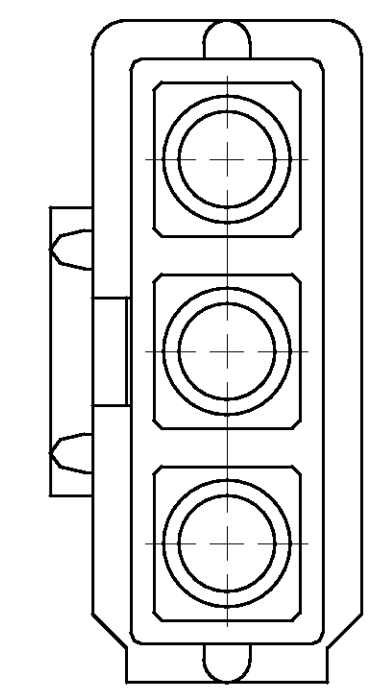
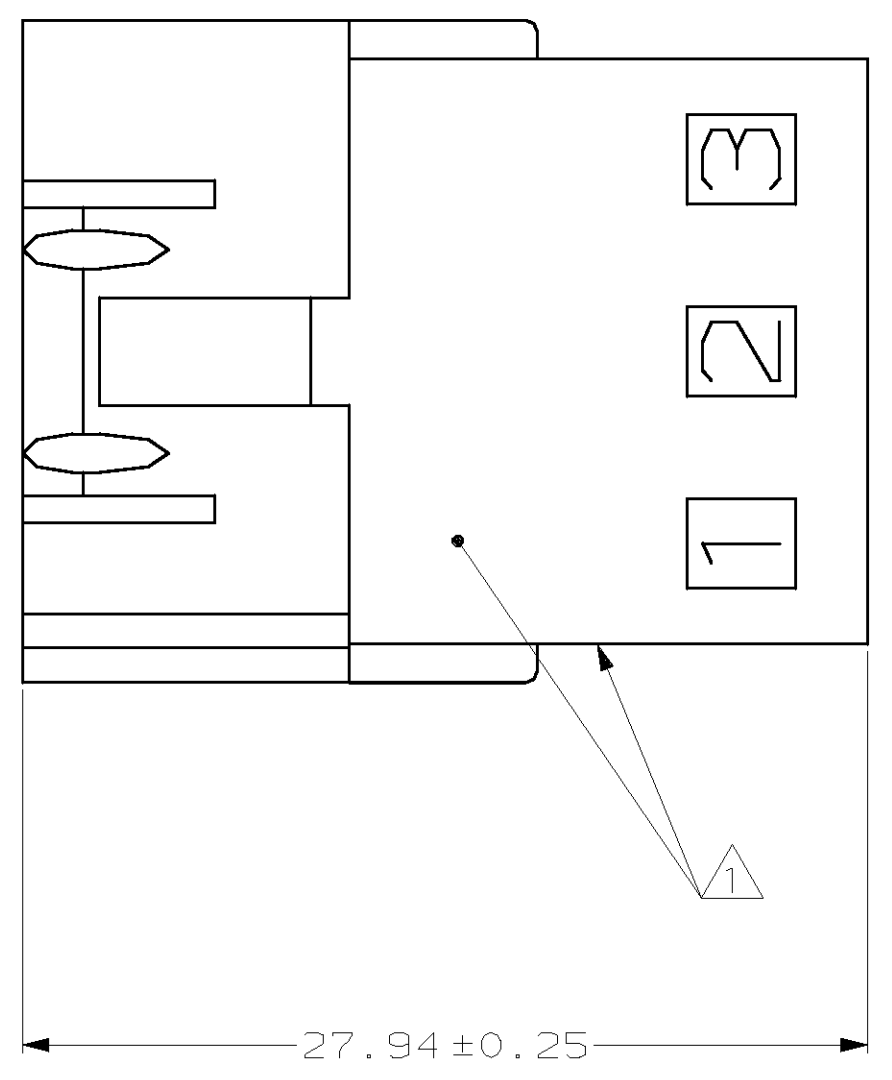
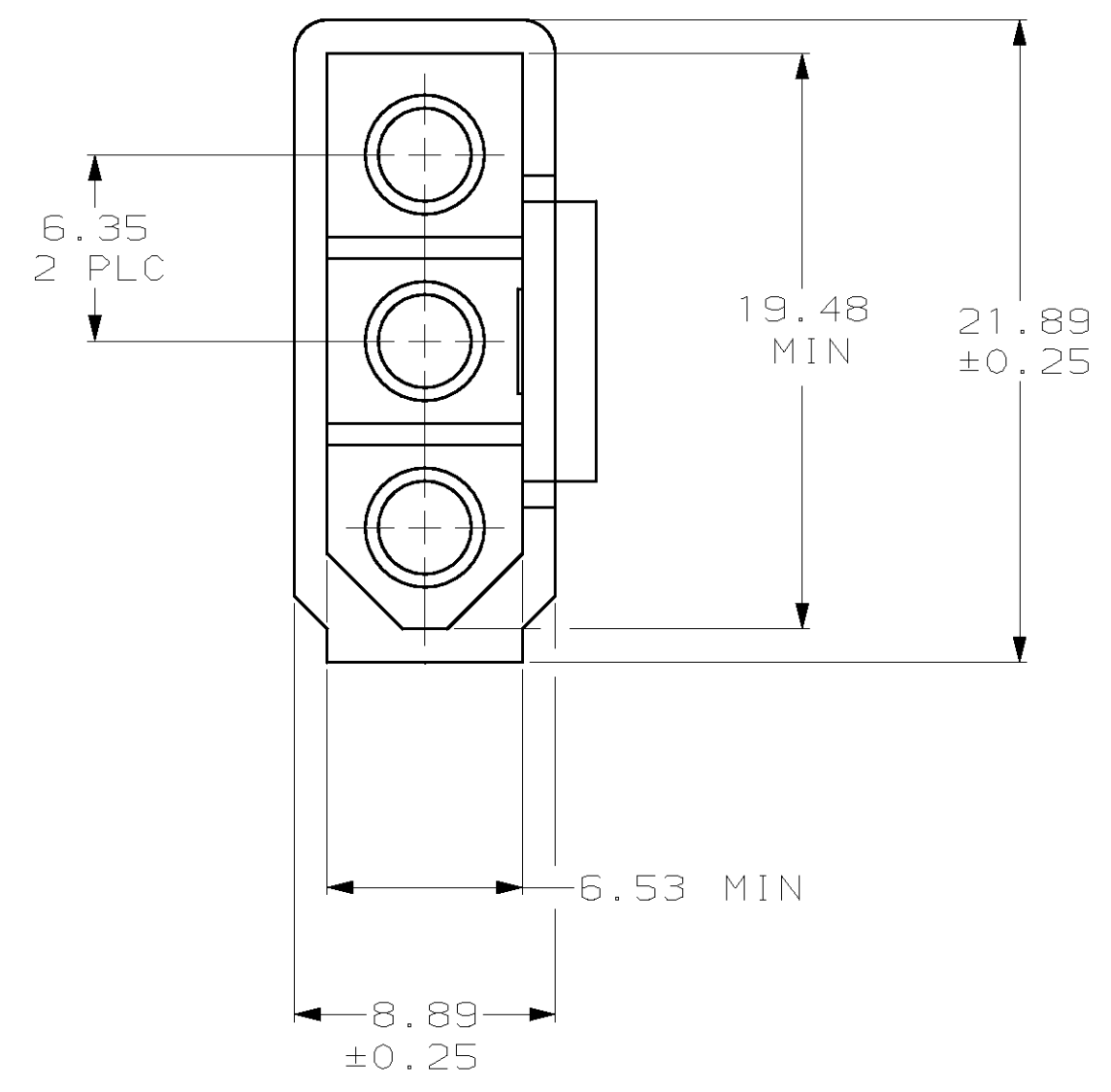


LOC	QTY	REV	DATE	BY	APPV
CM	53				

REVISIONS					
REV	DESCRIPTION	DATE	BY	APPV	
C	REV & REDWN PER EC 0L30-0248-97	11-19-97	KW	RS	

△ AMP LOGO AND CAVITY NUMBERS LOCATED ON EITHER SURFACE, OPPOSITE SIDE OPTIONAL.



3-DIMENSIONAL MODEL
NTS

27.94	1.100
21.89	.862
19.48	.767
8.89	.350
6.53	.257
6.35	.250
0.25	.010
0.13	.005
MM	IN

CONVERSION TABLE

770276-1
PART NUMBER

METRIC

THIS DRAWING IS A CONTROLLED DOCUMENT.		DWN K. WHITAKER 11-19-97	AMP Incorporated Harrisburg, PA 17105-3608
DIMENSIONS: mm		CHK R. SWING 11-19-97	
TOLERANCES UNLESS OTHERWISE SPECIFIED:		APVD K. COBLE 11-19-97	NAME PLUG, 3 CIRCUIT, .250 PIN AND SOCKET
0 PLC ±- 1 PLC ±- 2 PLC ±0.13 3 PLC ±- 4 PLC ±- ANGLES ±-		PRODUCT SPEC	RESTRICTED TO
MATERIAL NYLON, JL 94V-2, NATURAL		APPLICATION SPEC	SIZE SCALE CODE DRAWING NO
FINISH -		HEIGHT -	A1 00779 C-770276
CUSTOMER DRAWING		SCALE 4:1	SHEET 1 OF 1 REV C